

# WINE MASTER

le temps d'être différent

## A WINE CELLAR THE WAY YOU PICTURE IT

Regardless of what your style is, the ARM 15 X can be discreetly incorporated into your wine cabinet. It then becomes a key element of your interior. A cutting-edge technique that will meet all of your wine cellar air conditioner expectations.

WINE CELLAR AIR CONDITIONER



15 m<sup>3</sup>

Air-conditioning up to 15m<sup>3</sup>



High performance integrated thermostat



Quiet



Respectful of the environment



Ideal climate conditions for the preservation of your wine

# WINE ARM 15 X

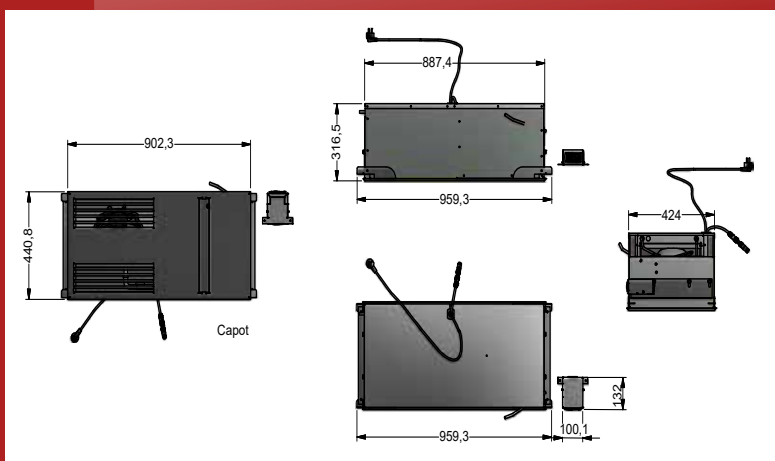
THE BUILT-IN



# WINE ARM 15 X

THE WINE CELLAR THE WAY YOUR PICTURE IT  
WITH ALL THE WINEMASTER® BENEFITS

- Keeps cellars at a constant temperature of between 8 and 18 °C\*
- Silent system (36 db) for great acoustic comfort
- Lots of savings due to low energy consumption
- A robust product that is designed to last
- Optional ventilation grid and insulation
- Condensate evaporation (condensation water)
- Wired electronic thermostat regulation
- Lift pump (in option)
- 2 year guarantee



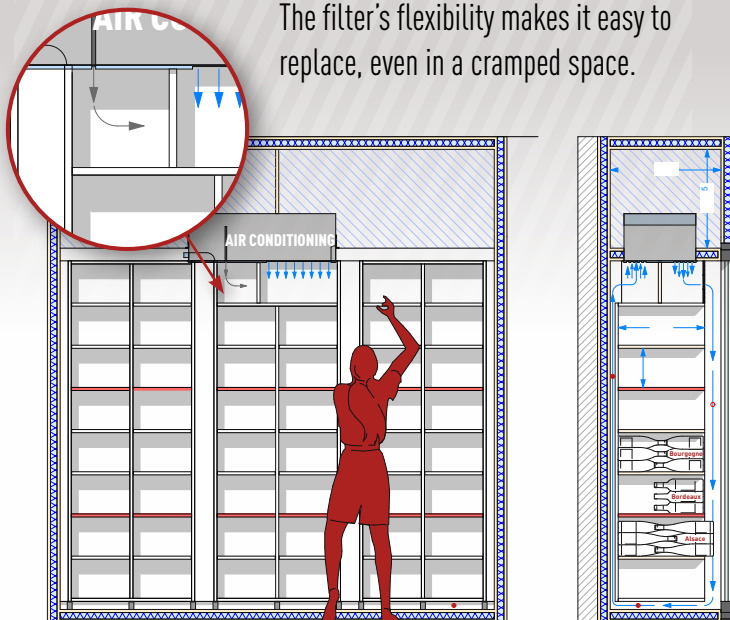


## SIMPLE MAINTENANCE, INCREASED LONG-LASTINGNESS

Air conditioner maintenance is an important aspect. The ARM 15 X is thus designed to make the dust filter easy to clean out. You can access it directly inside the cabinet, and the filter can be removed without using any special tools.



The filter's flexibility makes it easy to replace, even in a cramped space.



Installation example

REFERENCE	WINE ARM 15 X
Electrical supply	235 V - 50Hz + 3 m of cable
Air conditioning capacity*	Up to 15 m <sup>3</sup> *
Dimensions H x W x D	317 x 885 x 424 mm
Cooling capacity	500 W at 15°C
Weight	31 Kg
Sound level outside the cellar	36 dB
Electrical power absorbed	400 W
Temperature regulation*	Preset to 12 °C adjustable between 8 and 18 °C*
Coolant	R290
Maximum outside temperature**	35°C

\* With right insulation and adapted to the volume of the cellar.

\*\* The power could be reduced in function of outside temperature, its why the device may lose capacity to keep the cellar at 12 °C if the outside temperature gets close to 35 °C.

## EASY TO INSTALL

The WINE ARM 15 X air conditioner is set up in such a way as to feed through the top of the wine cabinet.





# A STORY OF LOVE AND TERROIR...

It is in the foothills of the Alsatian vineyards, where the wine route starts, that the WineMaster® story begins. Our attachment to terroir and our love of wine have always been the source of our thought process and creativity.

Ever since its inception in 1984, the skills and know-how of the men and women of WineMaster® have been at the heart of every step in the air conditioner making process.

Quality and detail are what motivate us, and we are proud of our products and their 100 % Alsatian design.

“ INNOVATION AND EXCELLENCE ARE WINEMASTER'S KEY VALUES. ”

